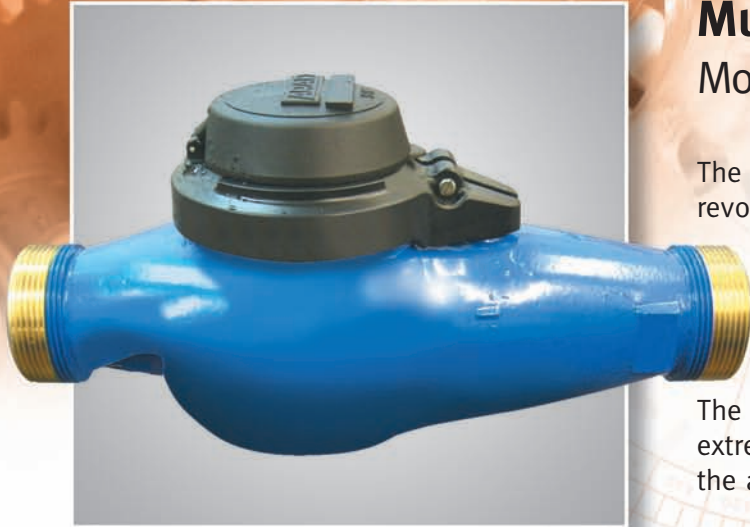




## Multi-Jet Magnetic Water Meter Model MS



The new Multi Jet Silver 1 1/2" 40mm is a revolutionized water-meter with superior performances which exceed all known products in the industry.

The dry dial Multi Jet Silver complies with ISO 4064 Class C metrological standard.

The meter offers very accurate registration in extreme flows, contributing to the revenues of the assigned customer.

### Features:

**By incorporating revolutionized hydraulic design the meter has superior performances:**

- Accuracy performance of Class C
- Maintains same hydraulic characteristics while tested in  $Q_{max}$  for more than 300 hours (equal to 26 years of operation)
- Reduced head loss - 6.5 meter (0.65 bar) in  $Q_{max}$
- Incorporates unique magnetic transmission which avoids disconnection
- Eliminates any previous installment requirements for straight pipe section of 10D 5D upstream and downstream respectively
- Optional Electrical Output: EV, EF, Dialog 3G, Dialog 2G, DPE, MPE.

### Applications

For domestic, agriculture and industrial use.

### Available Sizes

1 1/2" - 40 mm

### Standards

ISO 4064, AWWA

### Technical Specifications

<b>Maximum Working Pressure</b>	16 bar
<b>Maximum Working Temperature</b>	50°C
<b>Body</b>	Corrosion proof copper alloy Cast iron upon request
<b>Coupling threads</b>	BSP, NPT



**MS type dial**



► Velocity Type Meters

└ Multi Jet - MS

└ Single Jet

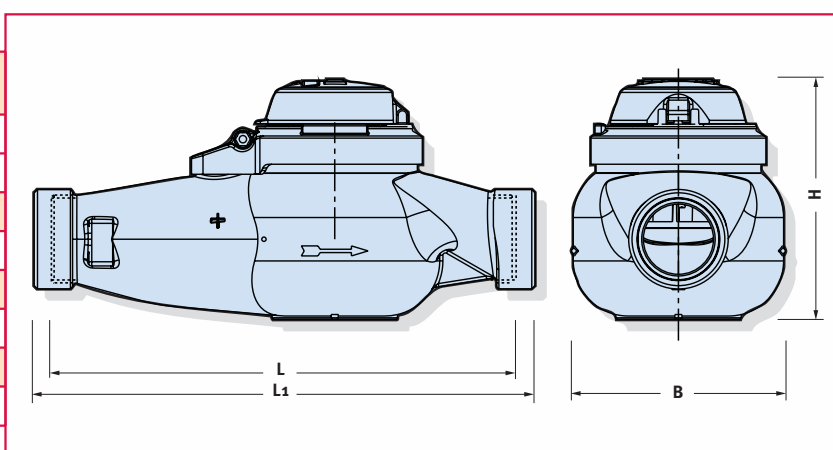
Volumetric Meters

### Performance data:

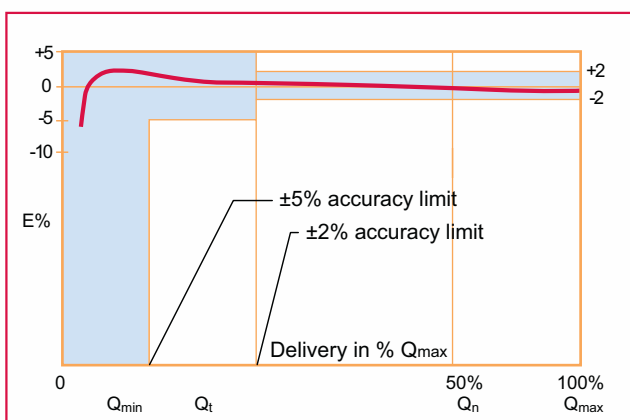
Model	Nominal Size (inch)	Q <sub>max</sub> Maximum flowrate (m <sup>3</sup> /h)	Q <sub>n</sub> Nominal flowrate (m <sup>3</sup> /h)	Q <sub>t</sub> Transitional Flowrate (l/h)	Q <sub>min</sub> Minimum Flowrate (l/h)	Sensitivity (up to-30%) (l/h)	Accuracy between Q <sub>max</sub> & Q <sub>t</sub>	Accuracy between Q <sub>t</sub> & Q <sub>min</sub>	Headloss at Q <sub>max</sub> (bar)	Maximum register capacity (m <sup>3</sup> )	Minimum register capacity (liter)
MS 40	1 1/2"	20	10	150	100	28	±2%	±5%	0.65	10 <sup>6</sup>	1

### Dimensions

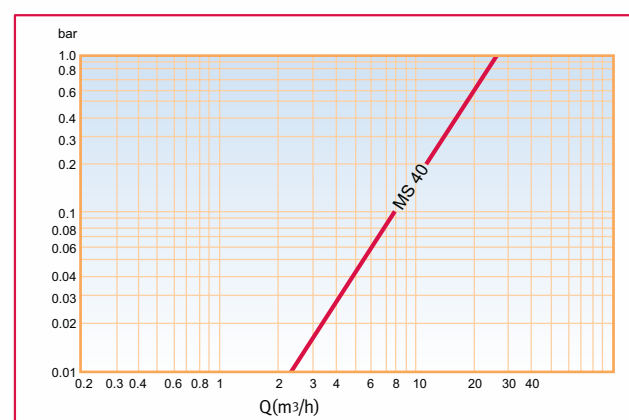
Model	M40	
Nominal size	(mm)	40
	(inch)	1 1/2
L – Length without couplings (mm)	300	
L <sub>1</sub> – Length with couplings (mm)	435	
B – Width (mm)	125	
H – Height (mm)	140	
Weight (kg)	4.65	
Weight with couplings (kg)	5.65	



### Accuracy Curve



### Head Loss Curve



### Installation Requirements

- The meter should be installed in horizontal position.
- Pipeline must be flushed before installation.
- The meter should be constantly full of water.

